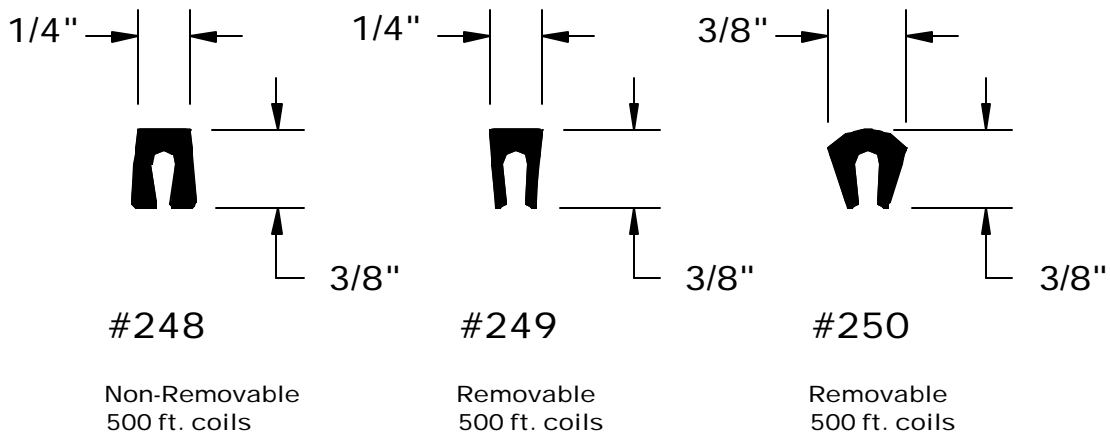


GREENSTREAK SCREED CAP is used in conjunction with a plastic or metal keyway, or a metal screed to form a void, which if desired, can be filled later with sealant.

SCREED CAP is available in both removable and non-removable profiles. All profiles fit snugly over the key or screed and are easy to install. Removable caps leave a straight void ready for sealant and can be reused.

SIZES



INSTALLATION GUIDELINES

- Install the screed cap directly over the top edge of the screed or keyway
- Place concrete and screed to finished elevation using the screed cap as a guide.
- In the case of removable caps, remove cap prior to final finishing and save for future reuse.
- After final finishing and curing of the concrete, install sealant in the void left by the cap.

Suggested Proprietary Short Form Guide Specification

Metal key joint forms as indicated in drawings and specifications to have Greenstreak Screed Cap #____, as manufactured by The Greenstreak Group, Inc., 3400 Tree Court Industrial Blvd., St. Louis, MO 63122, Phone (800) 325-9504