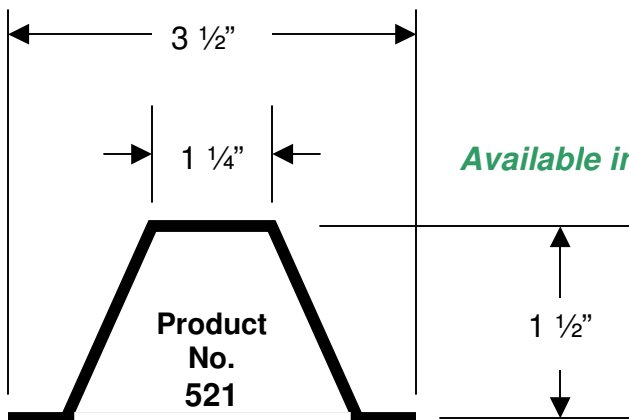
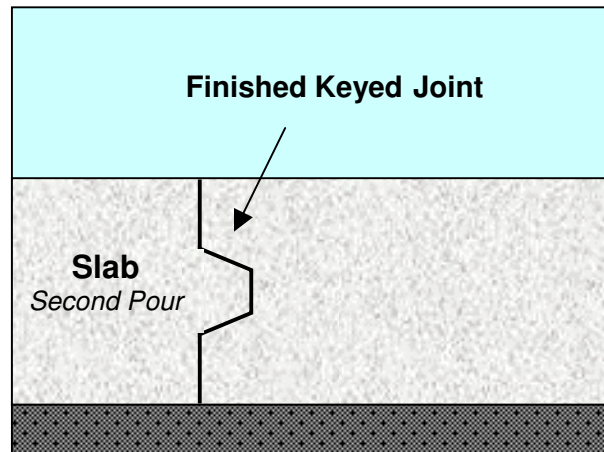
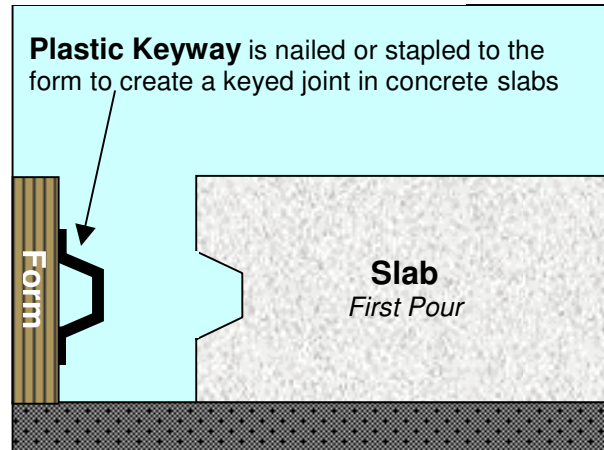


## PLASTIC KEYWAY JOINT FORMER

**Greenstreak's PLASTIC KEYWAY** provides an economical means for forming keyed joints quickly and easily. Manufactured from a lightweight, yet impact resistant Low Density Polyethylene (LDPE), the PLASTIC KEYWAY is easy to use and reuse to create an interlocking joint in concrete.

### INSTALLATION

PLASTIC KEYWAY is stapled or nailed to an edge form at the desired elevation. The concrete is placed and thoroughly vibrated to ensure proper consolidation in the area of the key. The form and PLASTIC KEYWAY is then stripped, leaving a negative recess to engage the adjacent pour.



*Available in 10 ft. lengths and packaged 300 ft. per carton*

3400 Tree Court Industrial Blvd.  
St. Louis, MO 63122 USA  
Ph: 800.352-9504 or 636.225-9400  
Fx: 800.551-5145 or 636.225-2049  
Greenstreak .com



GREENSTREAK GROUP, INC.  
A Family of Construction Companies