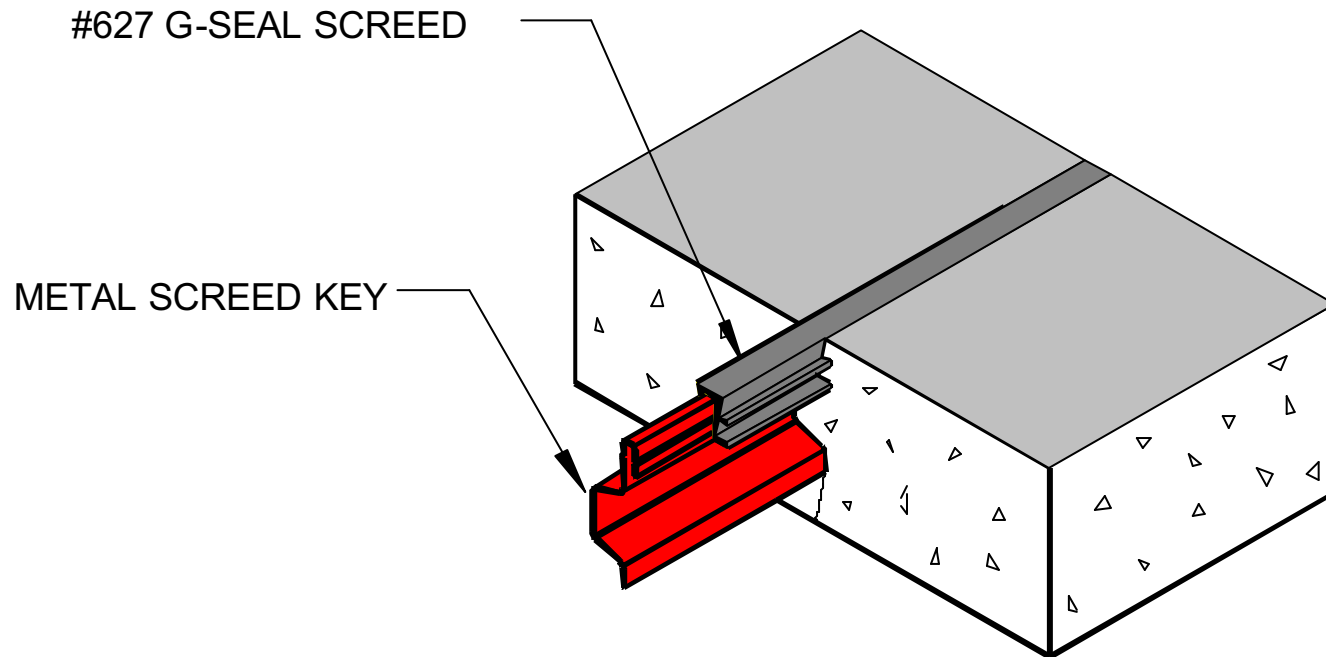


# GREENSTREAK'S G-SEAL™

Patent No. 5,375,386



## INSTALLATION STEPS

- 1.) Use factory fabrications for intersections and changes of direction. Insure all sections to be spliced are cut square and bond together using G-SEAL Adhesive.
- 2.) Place concrete using normal placement techniques, utilizing the G-SEAL as a screed rail. Vibrate concrete to insure good consolidation around G-SEAL.

## THINGS TO AVOID

Insufficient concrete at the G-SEAL profile -- G-SEAL should be flush or slightly below the finished concrete surface. Concrete will not adhere to the top of G-SEAL.

Tooling of the joint -- G-SEAL provides a finished joint. **DO NOT TOOL!**

Improper dowel alignment -- Regardless of the joint sealing method used, improper dowel alignment may cause cracking or spalling. Proper use of a dowel aligning device will eliminate this concern.