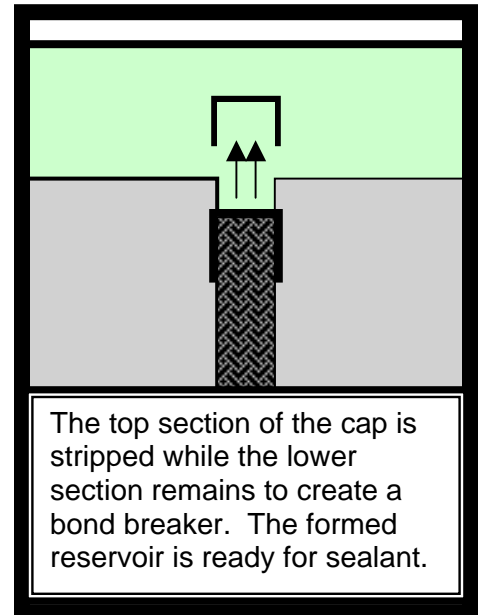
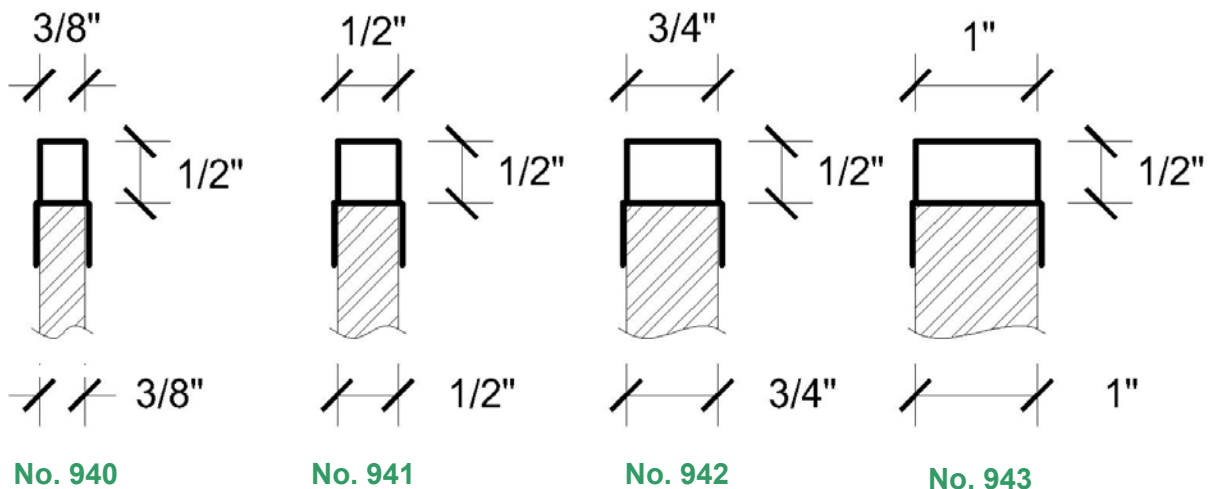


There's no need for inefficient and expensive handwork that used to be required to form expansion joints. Greenstreak's Expansion Board Cap is easy to use and provides a professional finish.

Expansion Board Cap slides over the top of the expansion board just prior to concrete placement. The lower section of the cap is keyed in the concrete and the top section strips to create a reservoir for sealants.



SIZES



All sizes are manufactured in 10 ft. lengths and packaged 500 ft. per carton.

Expansion Board Cap

- is manufactured with strong, High Impact Polystyrene (HIPS)
- is easily cut with a hand or power saw
- is easily stripped by inserting a screwdriver and pulling up
- provides sharp, clean professional grooving is available in several sizes to accommodate most applications